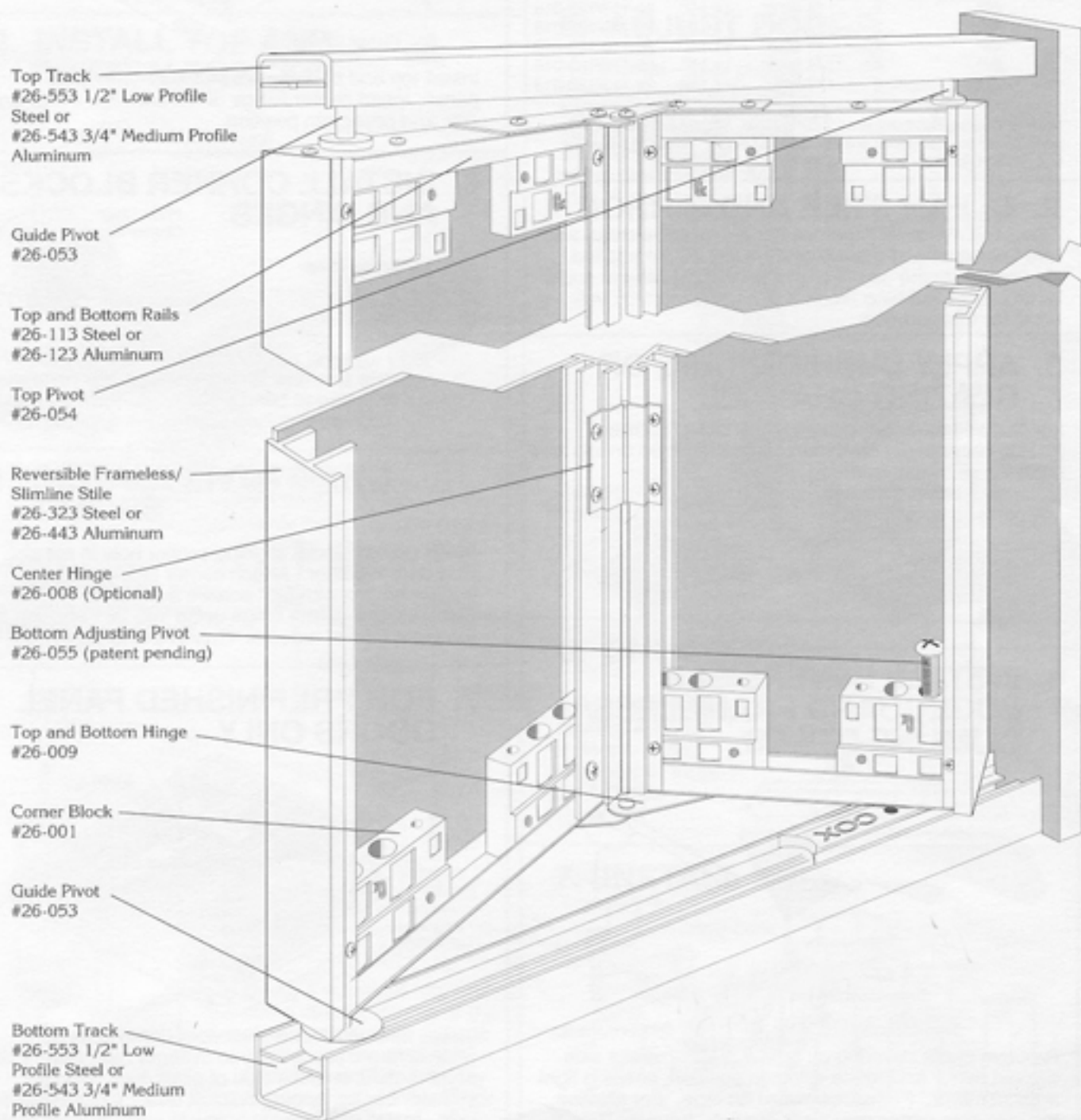


COX SERIES 26

ASSEMBLY PROCEDURE

EDGE GUARD FRAMELESS/SLIMLINE BIFOLDING MIRROR & PREFINISHED PANEL DOORS



ASSEMBLY INSTRUCTIONS

1. SIZE DOORS TO FIT OPENINGS

NET FINISHED OPENING HEIGHT	MIRROR LENGTH	STILE LENGTH	CATALOG NUMBER*
80 1/2"	77 7/8"	78"	26-323/443-78
96"	93 3/8"	93 1/2"	26-323/443-935

NET FINISHED OPENING WIDTH	NO. DOORS	MIRROR WIDTH	RAIL LENGTH	CATALOG NUMBER*
24"	2	11 9/16"	11 1/2"	26-113/123-012
30"	2	14 9/16"	14 1/2"	26-113/123-015
36"	2	17 9/16"	17 1/2"	26-113/123-018
48"	4	11 9/16"	11 1/2"	26-113/123-012
60"	4	14 9/16"	14 1/2"	26-113/123-015
72"	4	17 9/16"	17 1/2"	26-113/123-018

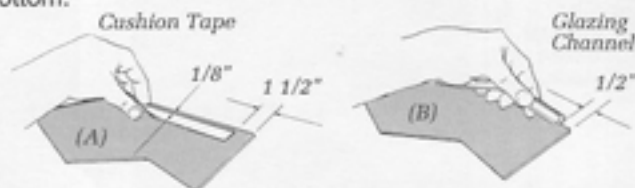
*Above catalog numbers are for Brite Gold, Steel/Aluminum. See price list 26 for additional colors. Special Sizes: Refer to separate instructions for # 05-260 Series 26 Drilling Template.

2. CLEAN STILE AND MIRROR

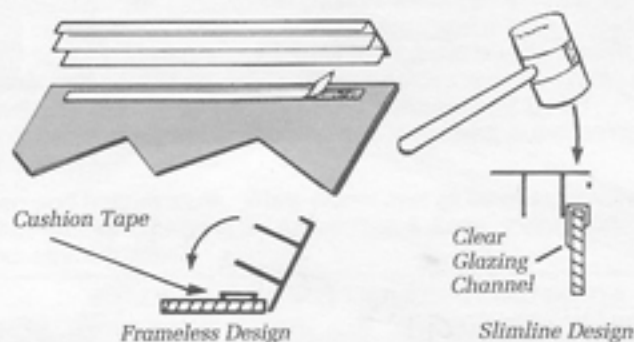
Stiles and mirror for frameless doors must be clean and free from dust and grease where tape will be applied. Cox suggests the use of any non-residual solvent such as Isopropyl Rubbing Alcohol (70% minimum by volume) for this purpose.

3. APPLY CUSHION TAPE OR GLAZING CHANNEL

Install dual face cushion tape (A) or clear "Slimline" glazing channel (B) as shown. None required on top and bottom.

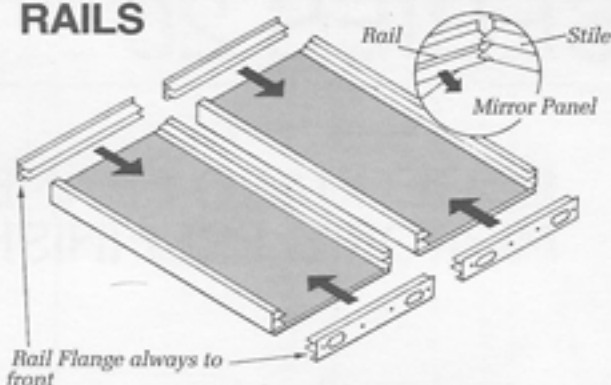


4. INSTALL REVERSIBLE EDGE GUARD FRAMELESS/SLIMLINE STILES



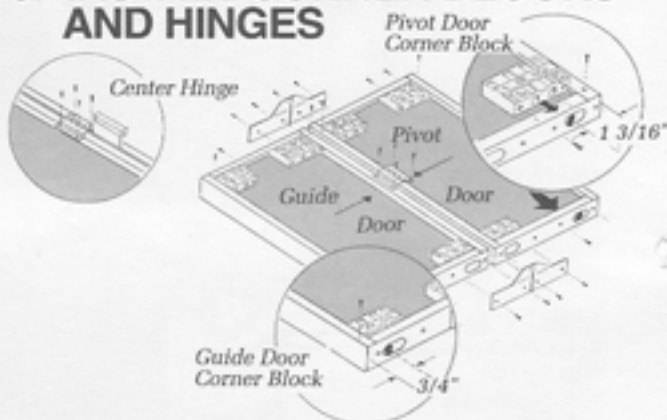
Remove paper covering on tape. Butt frameless side against mirror and rotate stile into position, keeping tight against mirror. Press downward on tape. For slimline, tap stile onto mirror over clear glazing channel. Stile should extend 1/16" beyond each end.

5. INSTALL TOP AND BOTTOM RAILS



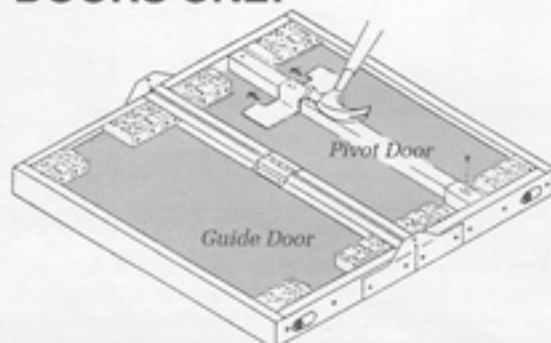
Install top and bottom rails between stiles onto mirror panel. Insert center flange of rail between mirror and stile and press into position.

6. INSTALL CORNER BLOCKS AND HINGES



Insert corner blocks aligning proper hole in rail slot. Butt door together. Attach corner blocks, top and bottom hinges with 5/8" screws as shown. Option-install center hinge using #05-261 spacing template between doors. Remove when complete.

7. FOR PREFINISHED PANEL DOORS ONLY



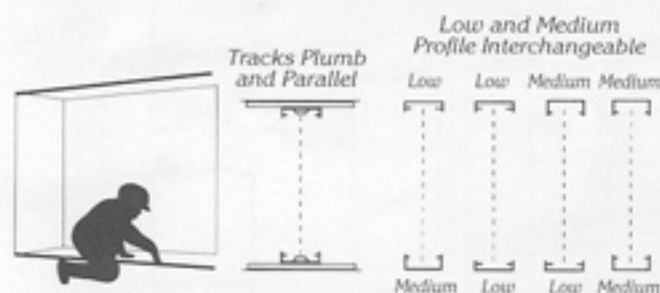
Install stiffener bar on pivot door (jamb side) only. Slide stiffener brackets onto stiffener bar. Center bar and brackets on back side of pivot door. Secure stiffener bar by tapping bracket under top and bottom rails. Install self-tapping screw in each bracket to lock in place.

INSTALLATION INSTRUCTIONS

1. FIT DOORS TO OPENINGS

WIDTH			HEIGHT	
OPENING SIZE	NO. DOORS	OVERALL DOOR SIZE	OPENING SIZE	OVERALL DOOR SIZE
24"	2	11 3/4"	80 1/2"	78"
30"	2	14 3/4"	96"	93 1/2"
36"	2	17 3/4"		
48"	4	11 3/4"		
60"	4	14 3/4"		
72"	4	17 3/4"		

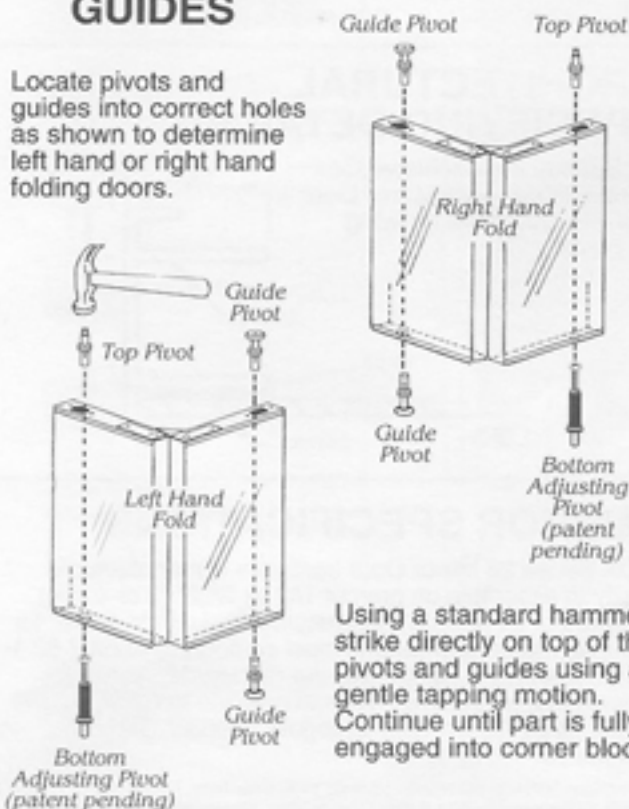
2. INSTALL TOP AND BOTTOM TRACKS



Top and bottom tracks should be level for best operation and must be plumb with one another. If track is installed in non-cased opening be sure wood backing is provided during framing.

3. INSTALL PIVOTS AND GUIDES

Locate pivots and guides into correct holes as shown to determine left hand or right hand folding doors.



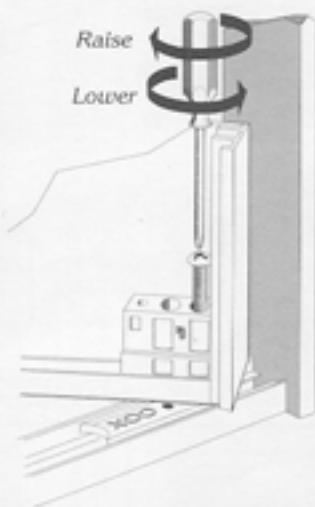
4. INSTALL DOORS

Stand in front of opening. Fold doors and insert top guide into track and top pivot into top track bracket. Raise doors and place bottom pivot into bottom track bracket and bottom guide into track.



5. ADJUST DOORS

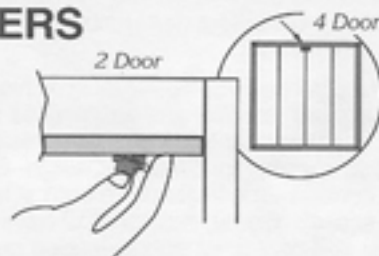
Horizontal – Use phillips head screwdriver to adjust track brackets to align doors so that two center doors are plumb, parallel and approximately 1/8" apart.



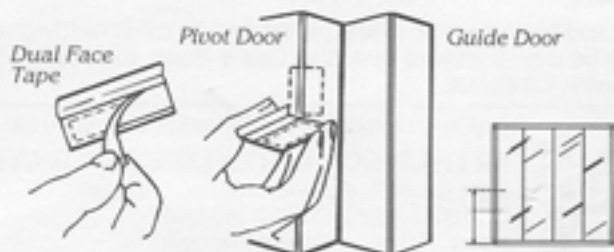
Vertical – Top edge of doors must be parallel with track. Using phillips head screwdriver, turn bottom adjusting pivot (patent pending) to obtain proper spacing from track.

6. SNUGGERS

Install next to striking jamb for 2 doors. Insert in center of track for 4 doors.

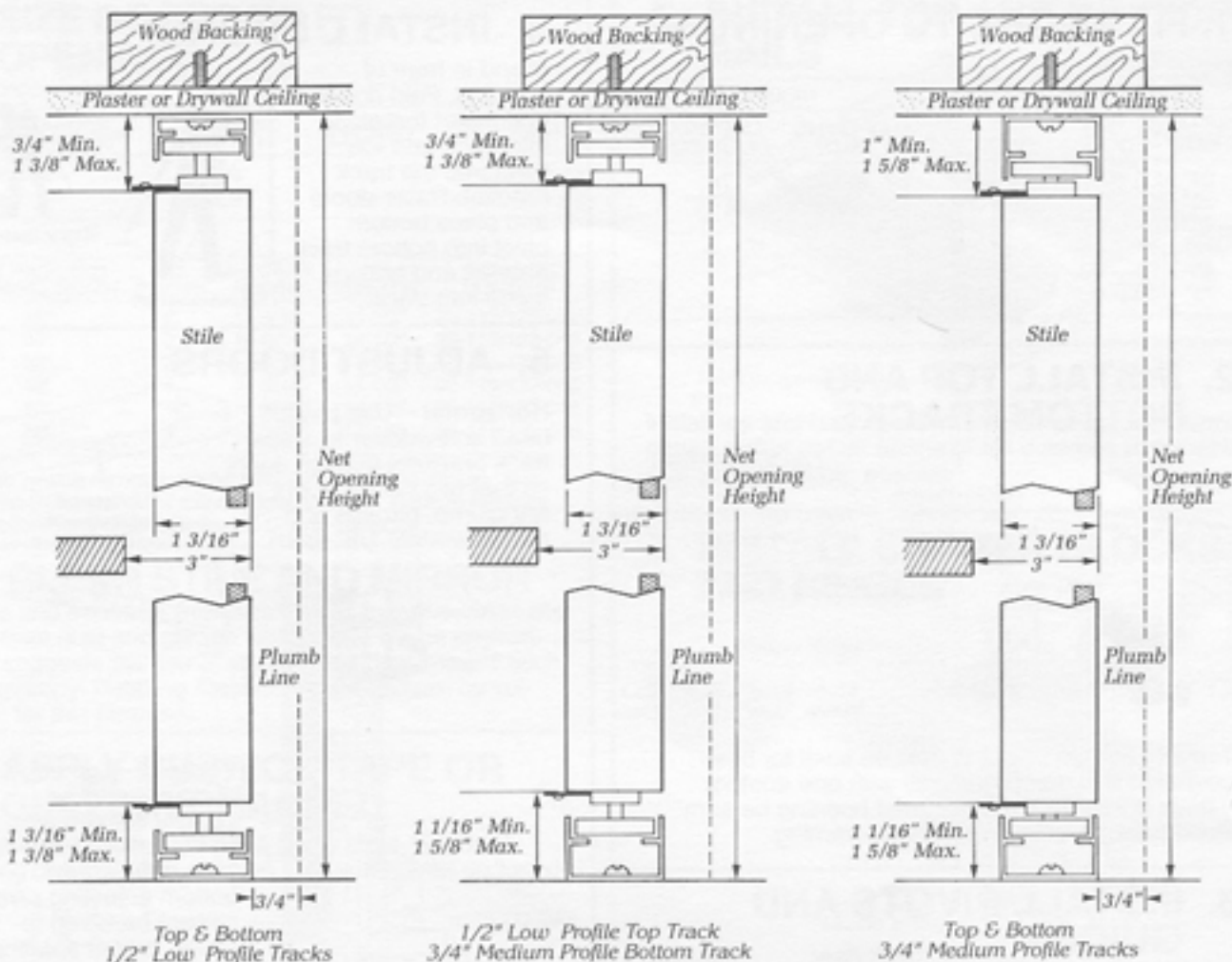


7. INSTALL PULLS



Install at desired height against inside stile of pivot door.

SERIES 26



ARCHITECTURAL SPECIFICATIONS

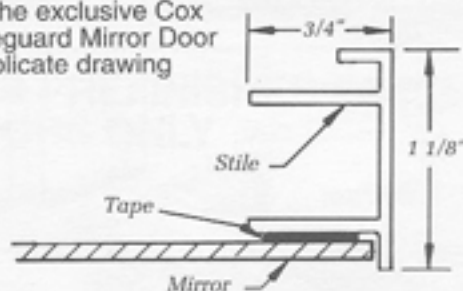
Bifold doors shall be guided by interchangeable Series 26 1/2" low profile steel or aluminum, or 3/4" medium profile aluminum tracks.

Doors shall be assembled by attaching prefinished "edgeguard" steel or aluminum stiles with Series 22 dual face cushion tape for Frameless Design or Series 26 clear glazing channel for Slimline Design. Each corner shall have one corner block fastened to both stiles and rails by means of 3 screws. Corner blocks shall have 2 cavities to accept either self-contained spring-loaded guides and top pivots or vertically adjustable bottom pivots. Hinges shall be of concealed design with integral stop to prevent overclosing of door.

Top and bottom track, stiles, pivots and all other hardware shall be manufactured by Arthur Cox & Sons, Incorporated, Industry, California.

ARCHITECTURAL SPECIFYING DETAILS

To Specify the exclusive Cox Series Edgeguard Mirror Door system. Duplicate drawing on plans.



MIRROR SPECIFICATIONS

COX Series 26 Mirror Door hardware is manufactured ready to assemble on pre-cut 1/8" or 5/32" (3 or 4 mm) polished or beveled edge safety-backed mirror. Mirror for reach-in closet applications must conform to ANSI Z 97.1-1984 Category 1 Safety Glazing Standards.* Mirror for passage door applications must conform to CPSC 42 FR 1428; 16 CFR Part 1201 Category 2 Safety Glazing Standards.**

*American National Standards Institute 1430 Broadway, New York, N.Y. 10018
 **U.S. Consumer Product Safety Commission, Washington, D.C. 20207



COX HARDWARE MAKES GOOD DOORS BETTER!
ARTHUR COX & SONS, INCORPORATED
 18311 East Railroad Street • Industry, CA 91748
 (714) 965-1565 • FAX (818) 965-7507
 Export: Overseas Operations, Incorporated
 P.O. Box 7000-222 • Redondo Beach, CA 90277-5779
 TEL: (310) 540-4600 • FAX (310) 540-8382

© 1995 Arthur Cox & Sons, Incorporated