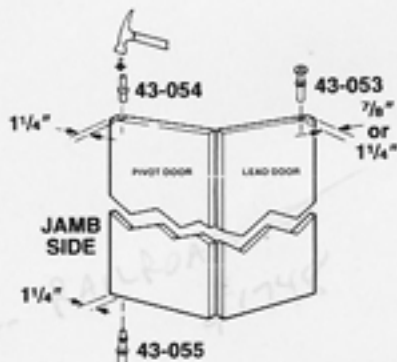


### 1. SIZE DOORS

DOOR WIDTH for 4 DOORS; deduct  $1\frac{1}{4}$ " from opening width and divide by 4 to determine width of each door. DOOR WIDTH—2 DOORS; deduct  $\frac{5}{8}$ " from opening width and divide by 2. DOOR HEIGHT—deduct  $1\frac{1}{8}$ " from opening height to determine height of doors.

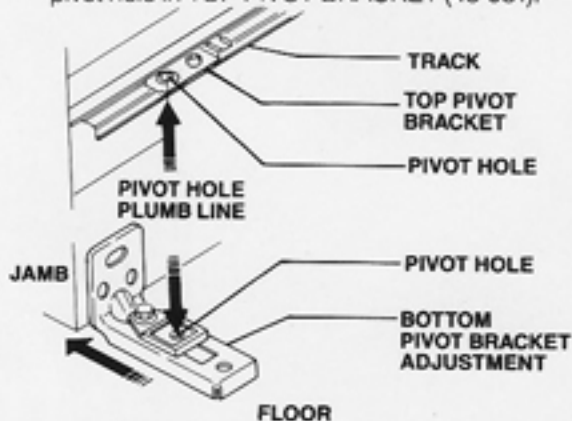
### 2. INSTALL PIVOTS

TOP (43-054) & BOTTOM (43-055) PIVOTS—drill  $\frac{7}{16}$ " holes,  $1\frac{3}{4}$ " deep,  $1\frac{1}{4}$ " from jamb (fixed) end of door at top and bottom. TOP GUIDE PIVOT (43-053)—drill  $\frac{7}{16}$ " hole,  $1\frac{3}{4}$ " deep,  $\frac{7}{8}$ " from meeting or leading end of moving door.



### 3. INSTALL TRACK & BOTTOM PIVOT BRACKET

TRACK—Screw track to header, it must be straight and level for best operation. TOP PIVOT BRACKETS (43-051) are pre-installed. BOTTOM PIVOT BRACKET (43-052) Screw to jamb and floor directly below track. Pivot hole must be plumb (same distance from jamb) with pivot hole in TOP PIVOT BRACKET (43-051).



### 4. INSTALL DOORS

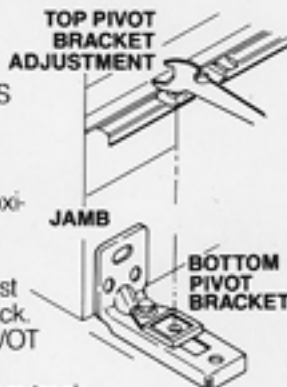
Stand in front of opening. Fold doors and insert TOP GUIDE PIVOT (43-053) into track and TOP PIVOT (43-054) into track bracket. Raise doors and place BOTTOM PIVOT (43-055) into bottom bracket.



### 5. ADJUST DOORS

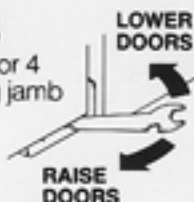
**HORIZONTAL**—Use wrench provided and adjust PIVOT BRACKETS to align doors so that two center doors are plumb, parallel and approximately  $\frac{1}{8}$ " apart.

**VERTICAL**—Top edge of doors must be parallel with track. Turn BOTTOM PIVOT (43-055) to obtain proper spacing from track.



### SNUGGERS

Insert in center of track for 4 DOORS. Next to striking jamb for 2 DOORS.



### 6. INSTALL ALIGNERS

(4 doors only)—Fasten to back of center doors—approximately 8" from bottom of door.

### 7. INSTALL KNOBS OF YOUR CHOICE

At height from floor preferred, in center of lead (moving) door.